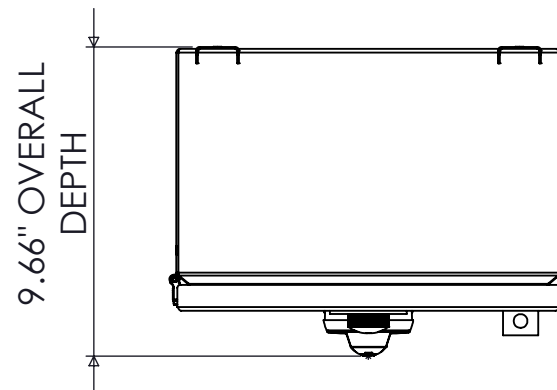
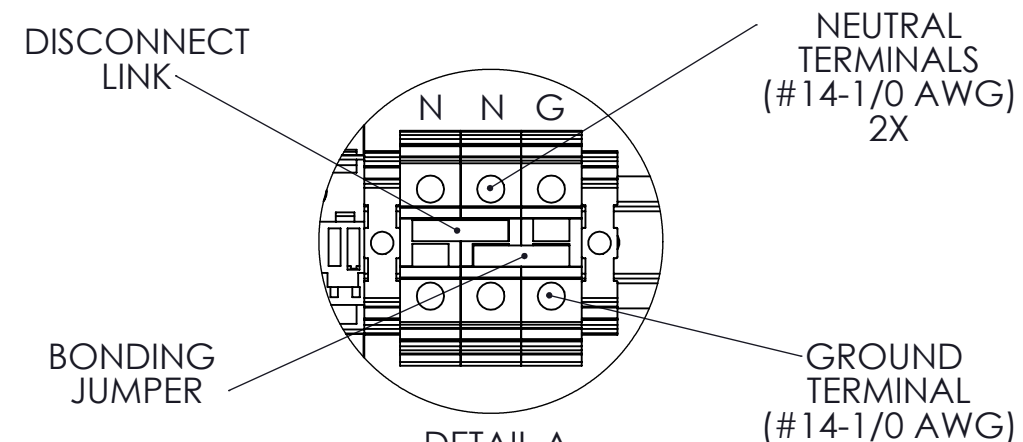


SPECIFICATIONS

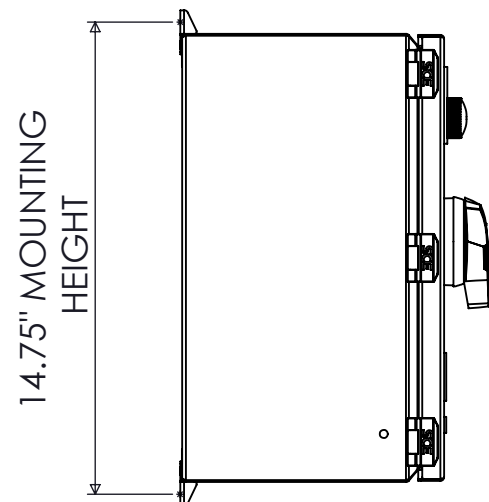
MAX VOLTAGE - 480VAC 3 ϕ
 RATED CURRENT - 30 A
 STANDARDS - UL508A
 ENCLOSURE RATING - NEMA 4X
 TYPE 316 STAINLESS STEEL
 REF. ES100240F
 SWITCH SCCR - 100kA @ 480VAC
 FUSE CLASS- "CC"
 ENDURANCE - 10,000 CYCLES
 EST SHIPPING WEIGHT - 20LBS



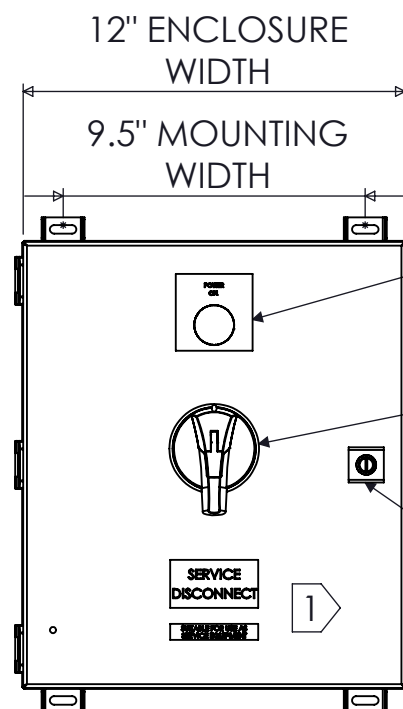
TOP VIEW



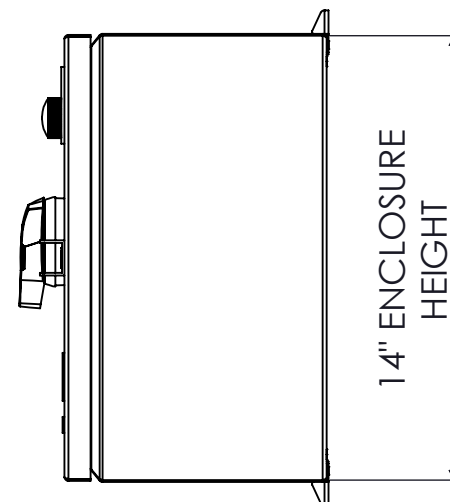
DETAIL A
 SCALE 1:2
 OPTIONAL NEUTRAL KIT
 W/BONDING JUMPER



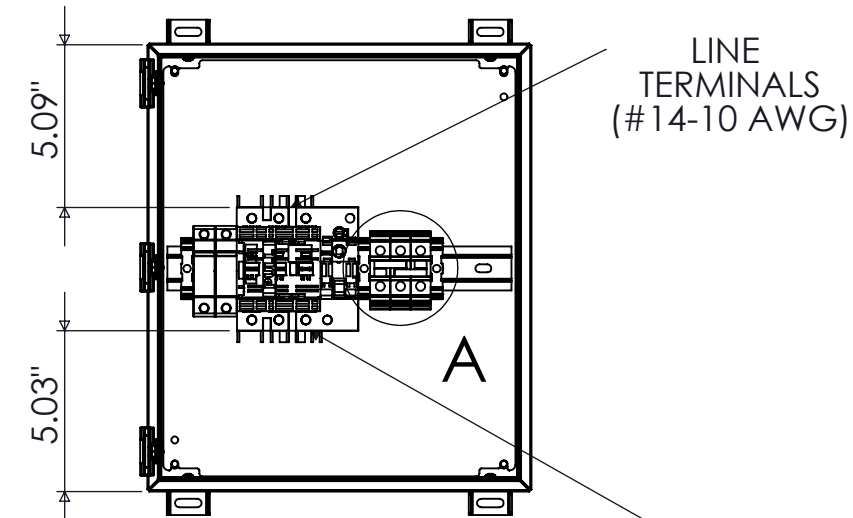
SIDE VIEW



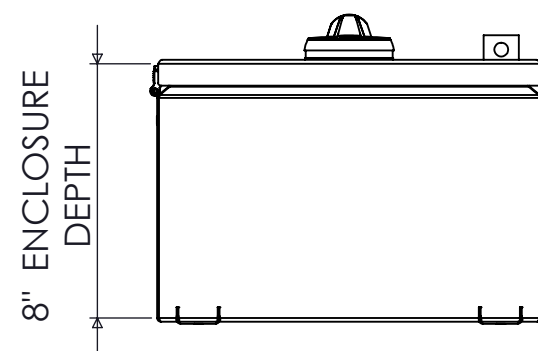
FRONT VIEW



SIDE VIEW



FRONT VIEW
 DOOR REMOVED



BOTTOM VIEW

NOTES

- "SERVICE DISCONNECT" AND "SUITABLE FOR USE AS SERVICE DISCONNECT" LABELS ONLY INCLUDED WITH OPTIONAL NEUTRAL KIT

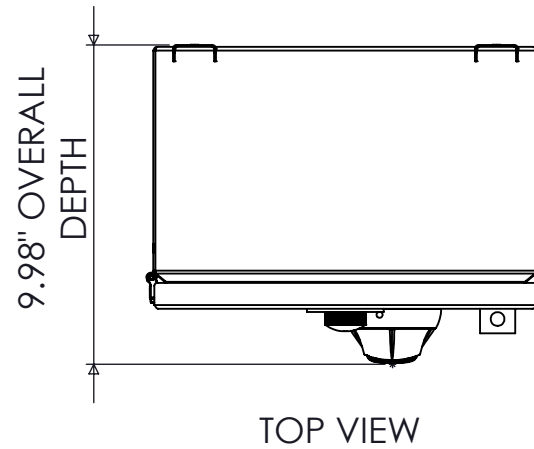
30A ENCLOSED FUSIBLE DISCONNECT NEMA 4X			
REV	DESCRIPTION	DATE	DRAWN S.RICHARDSON
0	ORIGINAL RELEASE	5/14/14	CHECKED
			SUP. NO
			SUP. BY NO
			PANEL NO
			BUIL. NO
			GROUP NO
			ORDER NO

DRAWING TYPE	DIMENSIONAL
DRAWING NUMBER	FD30CCN4X

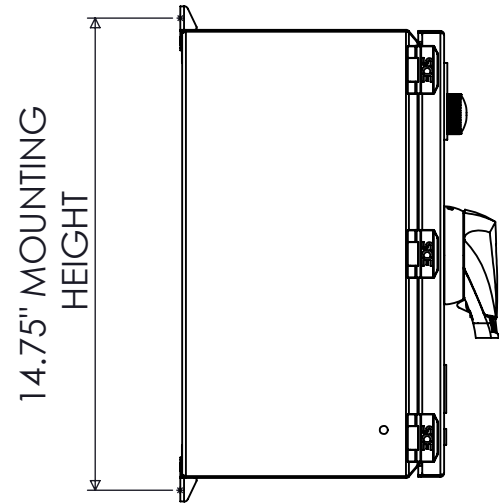
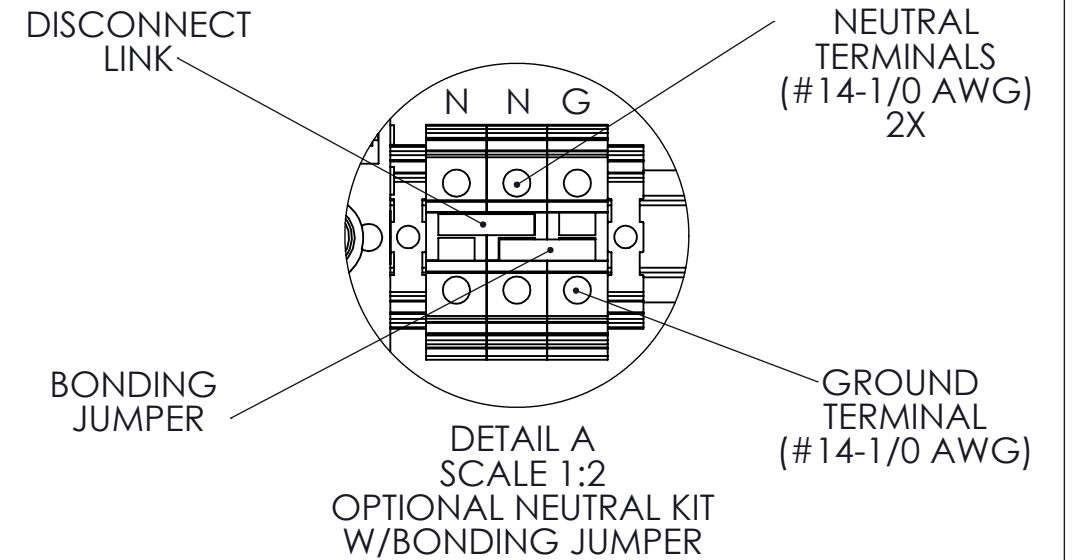


SPECIFICATIONS

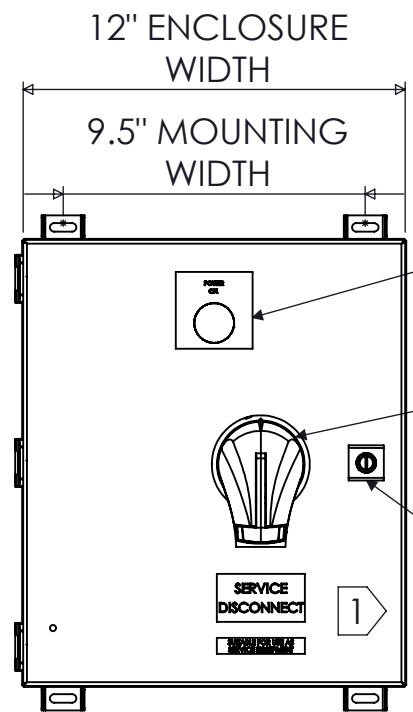
MAX VOLTAGE - 480VAC 3 ϕ
 RATED CURRENT - 30 A
 STANDARDS - UL508A
 ENCLOSURE RATING - NEMA 4X
 TYPE 316 STAINLESS STEEL
 REF. ES100240F
 SWITCH SCCR - 100kA @ 480VAC
 FUSE CLASS- "J"
 ENDURANCE - 10,000 CYCLES
 EST SHIPPING WEIGHT - 25LBS



TOP VIEW



SIDE VIEW

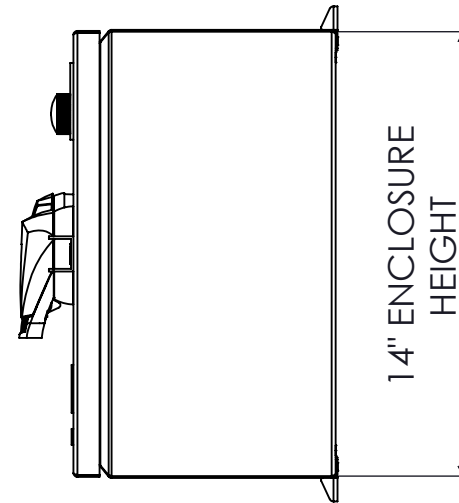


FRONT VIEW

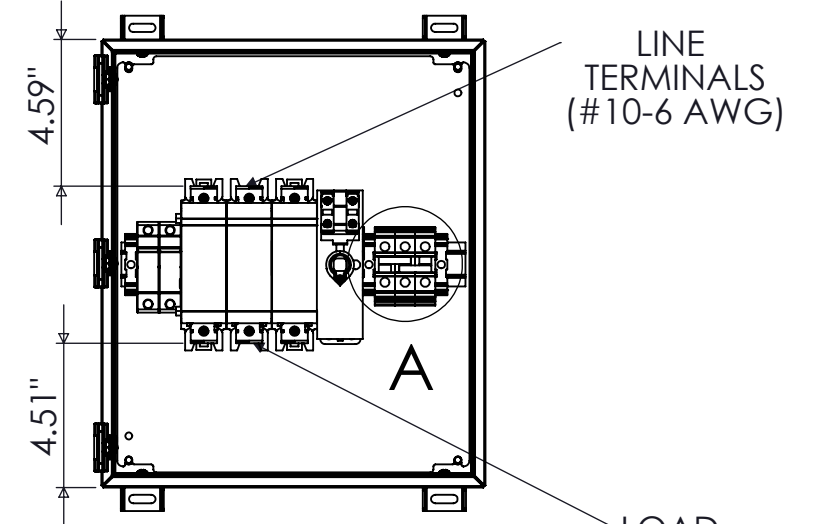
"POWER ON"

PADLOCKABLE HANDLE

PADLOCKABLE DOOR LATCH



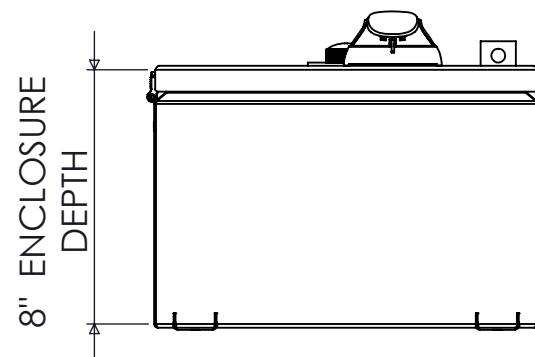
SIDE VIEW



FRONT VIEW DOOR REMOVED

LINE TERMINALS (#10-6 AWG)

LOAD TERMINALS (#10-6 AWG)



BOTTOM VIEW

NOTES

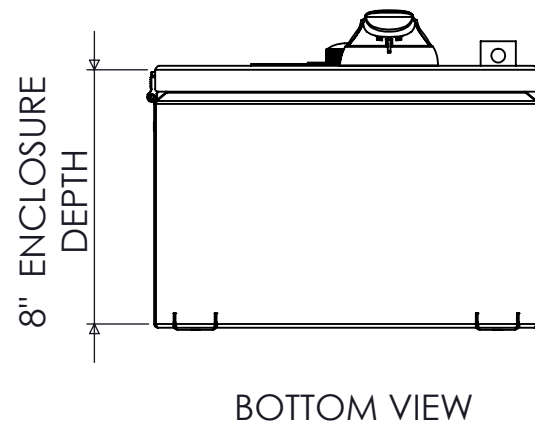
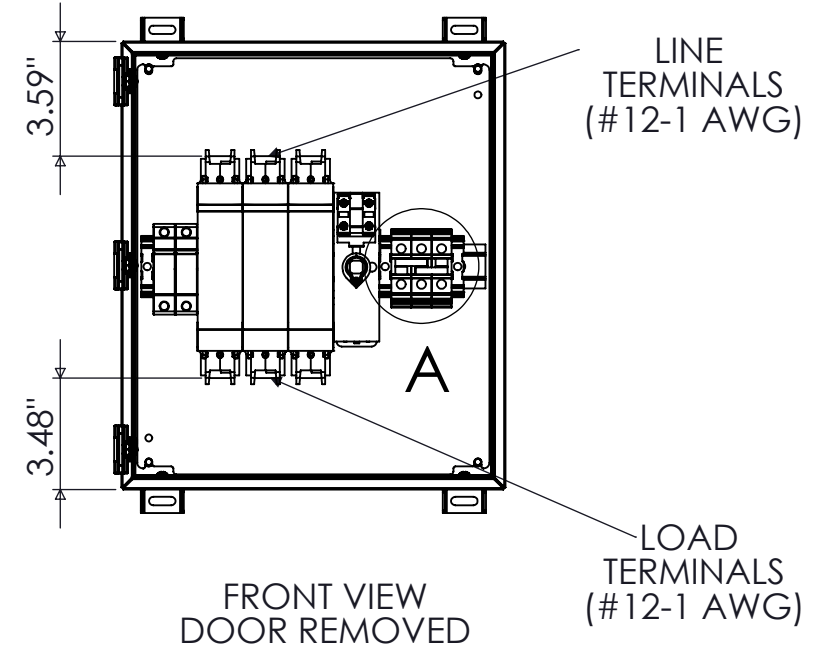
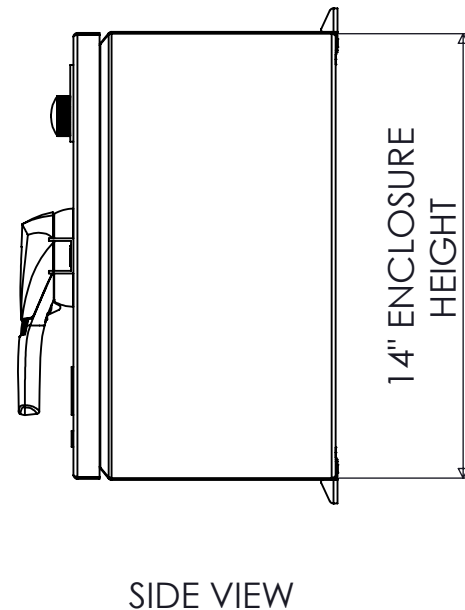
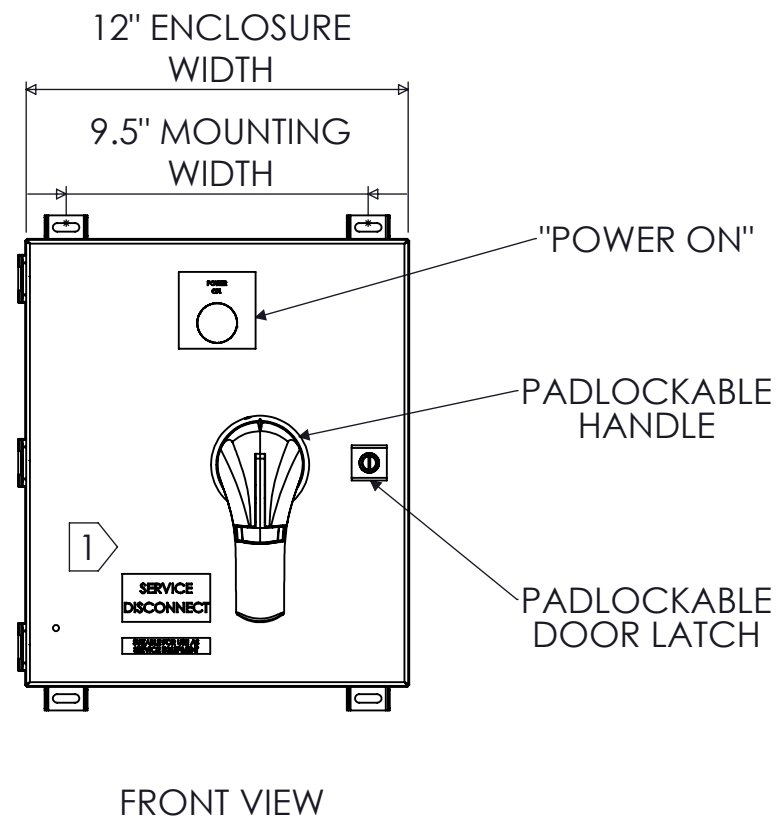
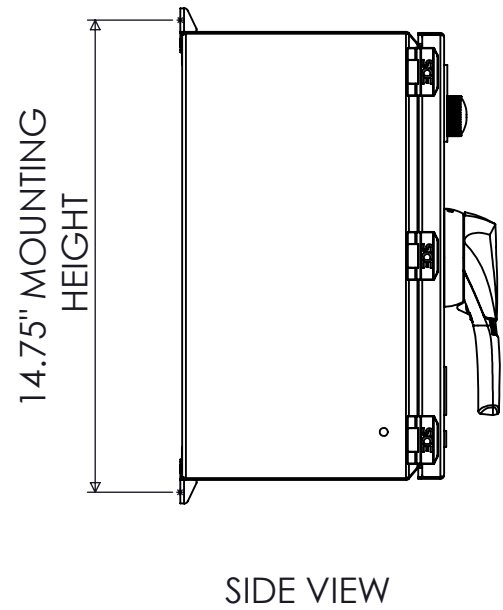
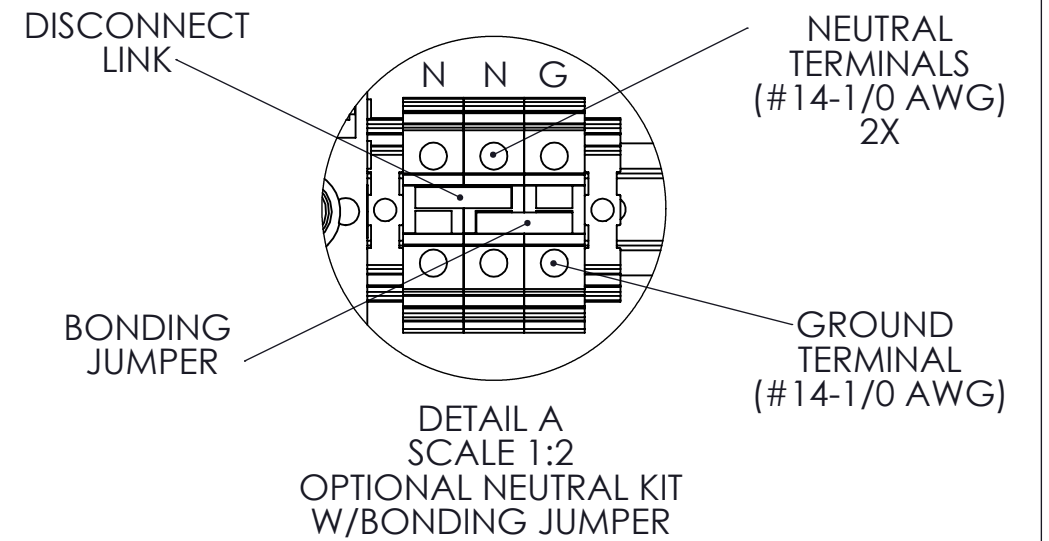
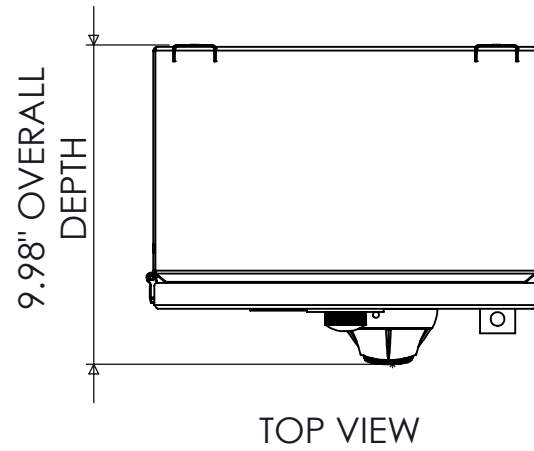
- "SERVICE DISCONNECT" AND "SUITABLE FOR USE AS SERVICE DISCONNECT" LABELS ONLY INCLUDED WITH OPTIONAL NEUTRAL KIT



30A ENCLOSED FUSIBLE DISCONNECT NEMA 4X					
REV	DESCRIPTION	DATE	DRAWN	S.RICHARDSON	
0	ORIGINAL RELEASE	5/14/14	CHECKED		
			SUP. NO	DRAWING TYPE	
			SUP. BY NO	DIMENSIONAL	
			PANEL NO	DRAWING NUMBER	
			BUIL. NO	FD30JN4X	
			GROUP NO		
			ORDER NO		

SPECIFICATIONS

MAX VOLTAGE - 480VAC 3 ϕ
 RATED CURRENT - 60 A
 STANDARDS - UL508A
 ENCLOSURE RATING - NEMA 4X
 TYPE 316 STAINLESS STEEL
 REF. ES100240F
 SWITCH SCCR - 200kA @ 480VAC
 FUSE CLASS- "J"
 ENDURANCE - 10,000 CYCLES
 EST SHIPPING WEIGHT - 25LBS



NOTES

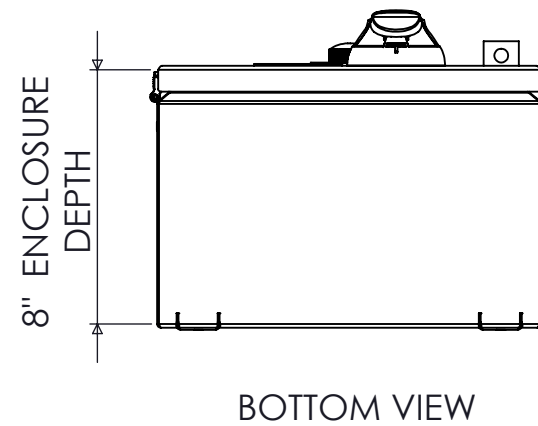
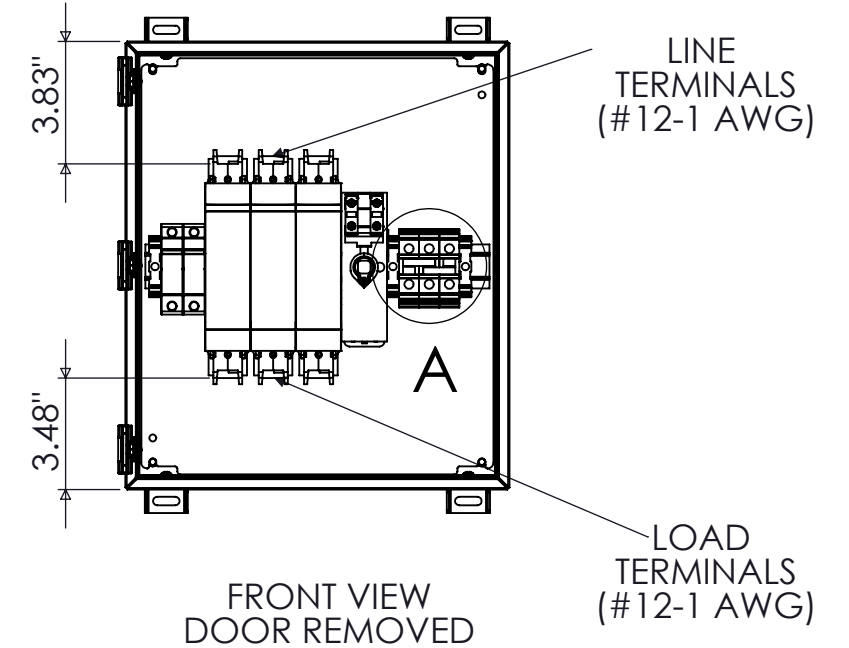
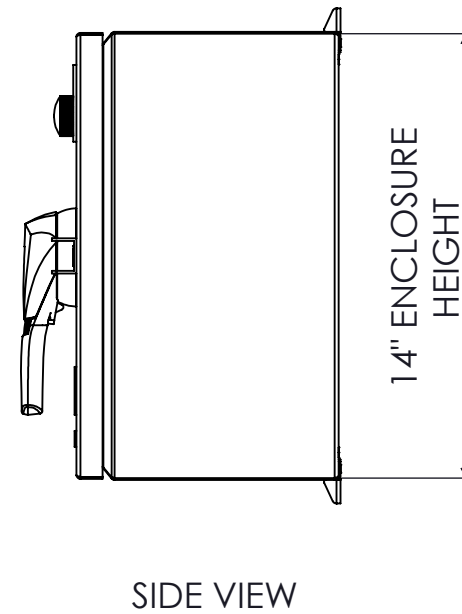
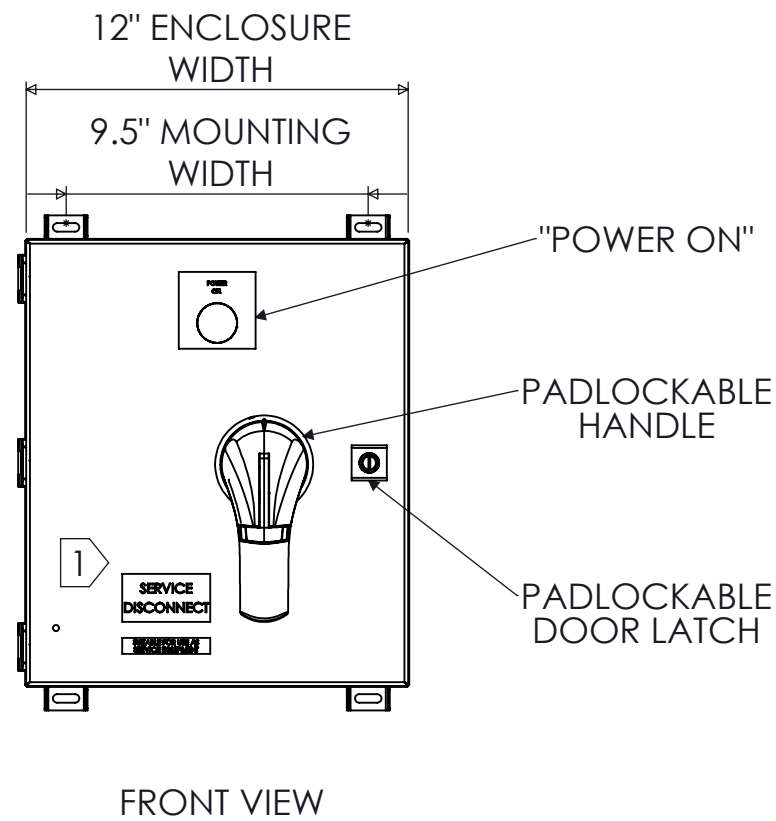
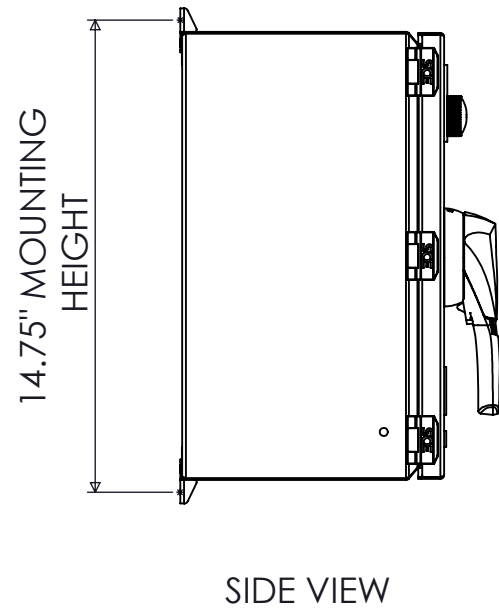
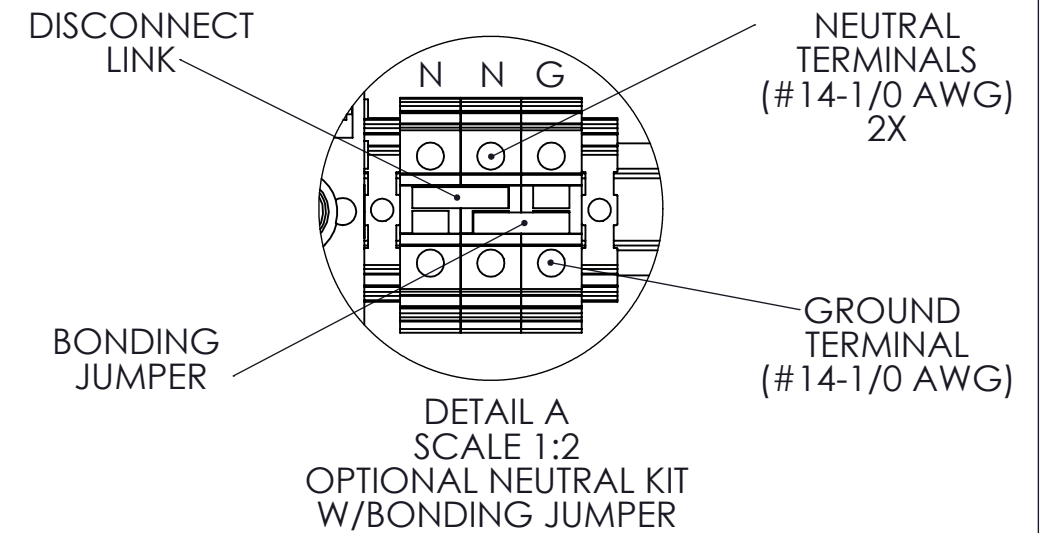
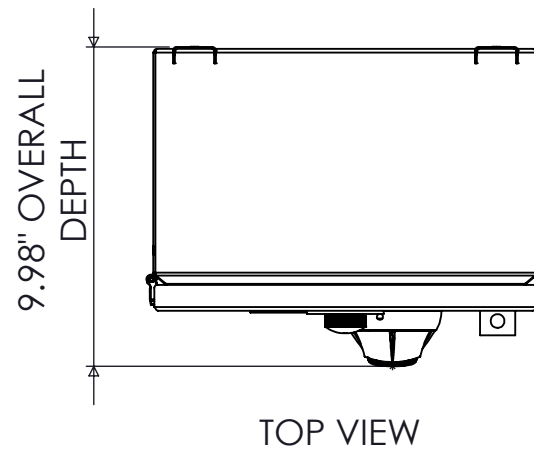
- "SERVICE DISCONNECT" AND "SUITABLE FOR USE AS SERVICE DISCONNECT" LABELS ONLY INCLUDED WITH OPTIONAL NEUTRAL KIT

60A ENCLOSED FUSIBLE DISCONNECT NEMA 4X					
REV	DESCRIPTION	DATE	DRAWN	S.RICHARDSON	
0	ORIGINAL RELEASE	5/14/14	CHECKED		
			SUP. NO	DRAWING TYPE	
			SUP. BY NO	DIMENSIONAL	
			PANEL NO	DRAWING NUMBER	
			BUIL. NO	FD60JN4X	
			GROUP NO		
			ORDER NO		



SPECIFICATIONS

MAX VOLTAGE - 480VAC 3 ϕ
 RATED CURRENT - 100 A
 STANDARDS - UL508A
 ENCLOSURE RATING - NEMA 4X
 TYPE 316 STAINLESS STEEL
 REF. ES100240F
 SWITCH SCCR - 200kA @ 480VAC
 FUSE CLASS- "J"
 ENDURANCE - 10,000 CYCLES
 EST SHIPPING WEIGHT - 30LBS



NOTES

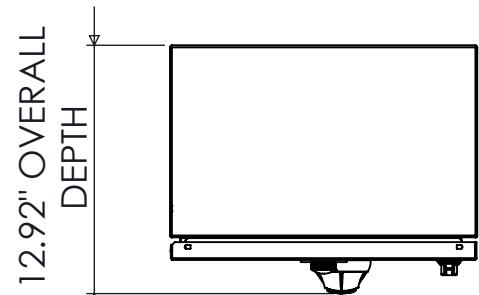
- "SERVICE DISCONNECT" AND "SUITABLE FOR USE AS SERVICE DISCONNECT" LABELS ONLY INCLUDED WITH OPTIONAL NEUTRAL KIT

100A ENCLOSED FUSIBLE DISCONNECT NEMA 4X					
REV	DESCRIPTION	DATE	DRAWN	S.RICHARDSON	
0	ORIGINAL RELEASE	5/14/14	CHECKED		
			SUP. NO	DRAWING TYPE	
			SUP. BY NO	DIMENSIONAL	
			PANEL NO	DRAWING NUMBER	
			BUIL. NO	FD100JN4X	
			GROUP NO		
			ORDER NO		



SPECIFICATIONS

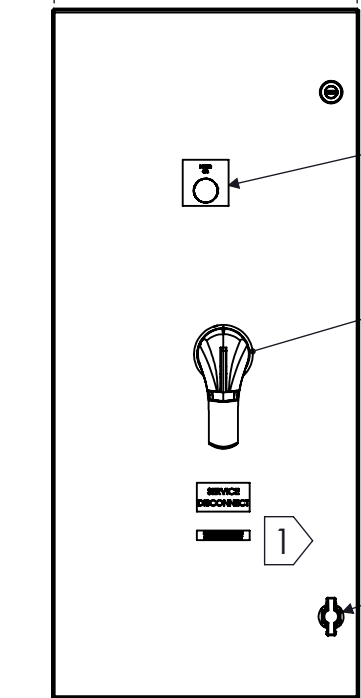
MAX VOLTAGE - 480VAC 3 ϕ
 RATED CURRENT - 200 A
 STANDARDS - UL508A
 ENCLOSURE RATING - NEMA 4X
 TYPE 316 STAINLESS STEEL
 REF. ES100240F
 SWITCH SCCR - 200kA @ 480VAC
 FUSE CLASS- "J"
 ENDURANCE - 8,000 CYCLES
 EST SHIPPING WEIGHT - 50LBS



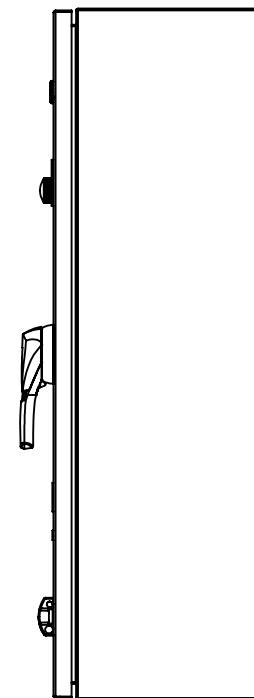
12.92" OVERALL DEPTH

TOP VIEW

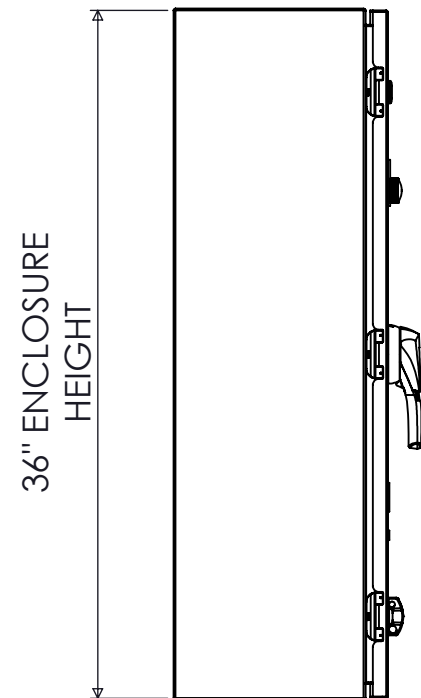
16" ENCLOSURE WIDTH



FRONT VIEW

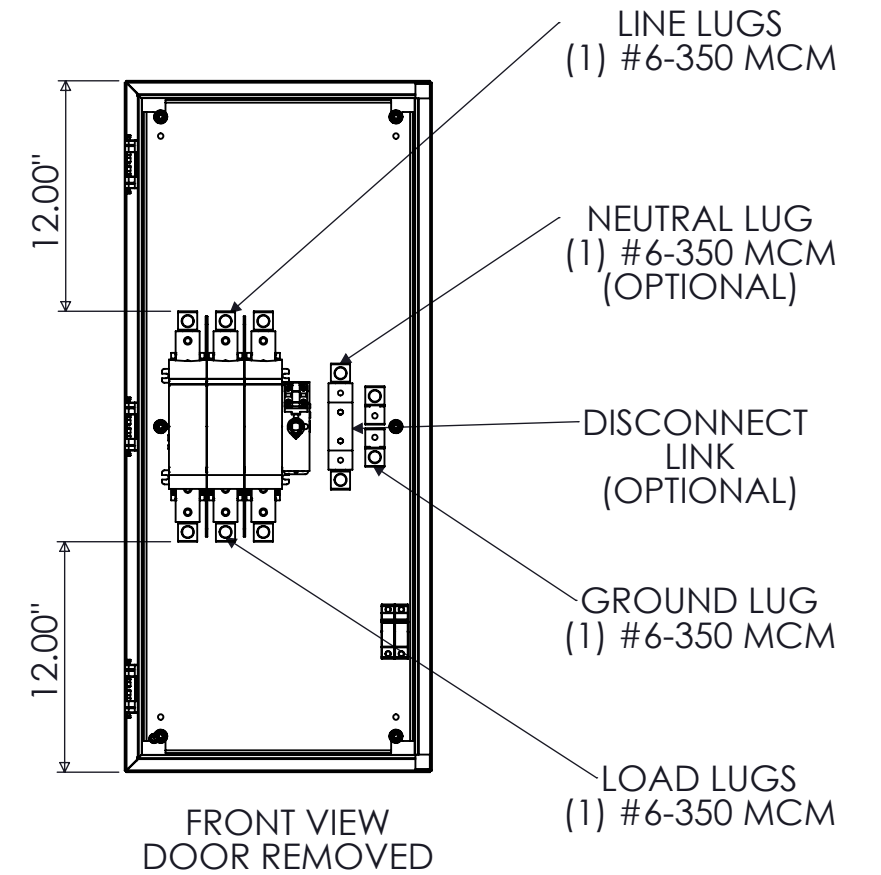


SIDE VIEW

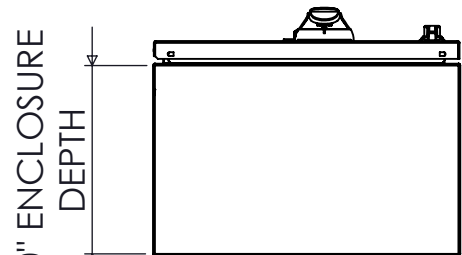


36" ENCLOSURE HEIGHT

SIDE VIEW



FRONT VIEW DOOR REMOVED



10" ENCLOSURE DEPTH

BOTTOM VIEW

NOTES

- "SERVICE DISCONNECT" AND "SUITABLE FOR USE AS SERVICE DISCONNECT" LABELS ONLY INCLUDED WITH OPTIONAL NEUTRAL KIT

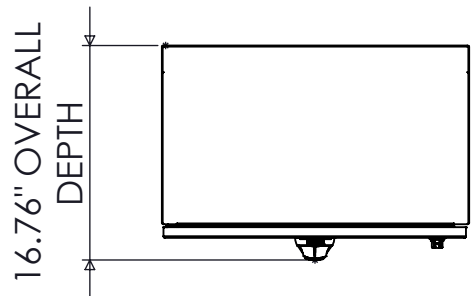
200A ENCLOSED FUSIBLE DISCONNECT NEMA 4X

REV	DESCRIPTION	DATE	DRAWN	S.RICHARDSON
0	ORIGINAL RELEASE	5/14/14	CHECKED	
			SUP. NO	DRAWING TYPE
			SUP. BY NO	DIMENSIONAL
			PANEL NO	DRAWING NUMBER
			BUIL. NO	FD200JN4X
			GROUP NO	
			ORDER NO	



SPECIFICATIONS

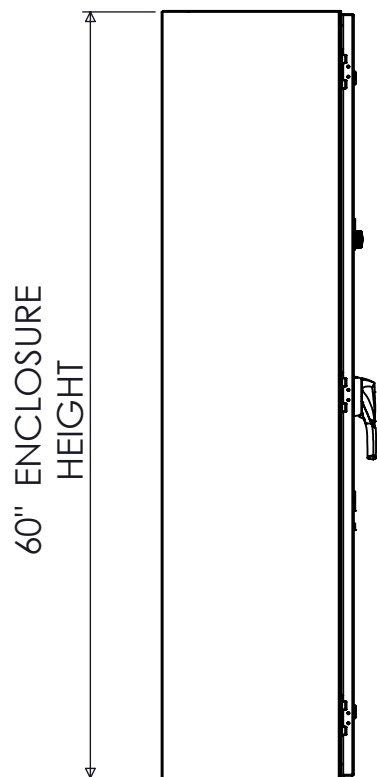
MAX VOLTAGE - 480VAC 3 ϕ
 RATED CURRENT - 400 A
 STANDARDS - UL508A
 ENCLOSURE RATING - NEMA 4X
 TYPE 316 STAINLESS STEEL
 REF. ES100240F
 SWITCH SCCR - 200kA @ 480VAC
 FUSE CLASS- "J"
 ENDURANCE - 6,000 CYCLES
 EST SHIPPING WEIGHT - 200LBS



16.76" OVERALL DEPTH

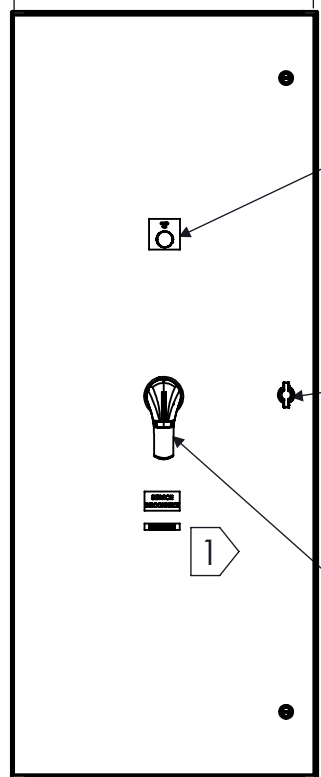
TOP VIEW

24" ENCLOSURE WIDTH



60" ENCLOSURE HEIGHT

SIDE VIEW

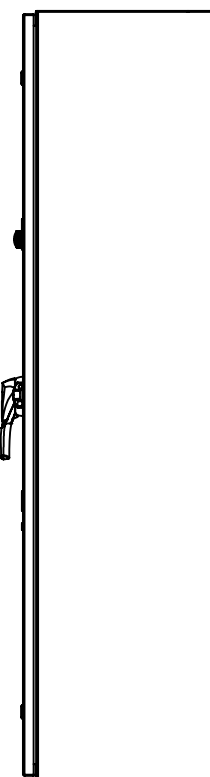


FRONT VIEW

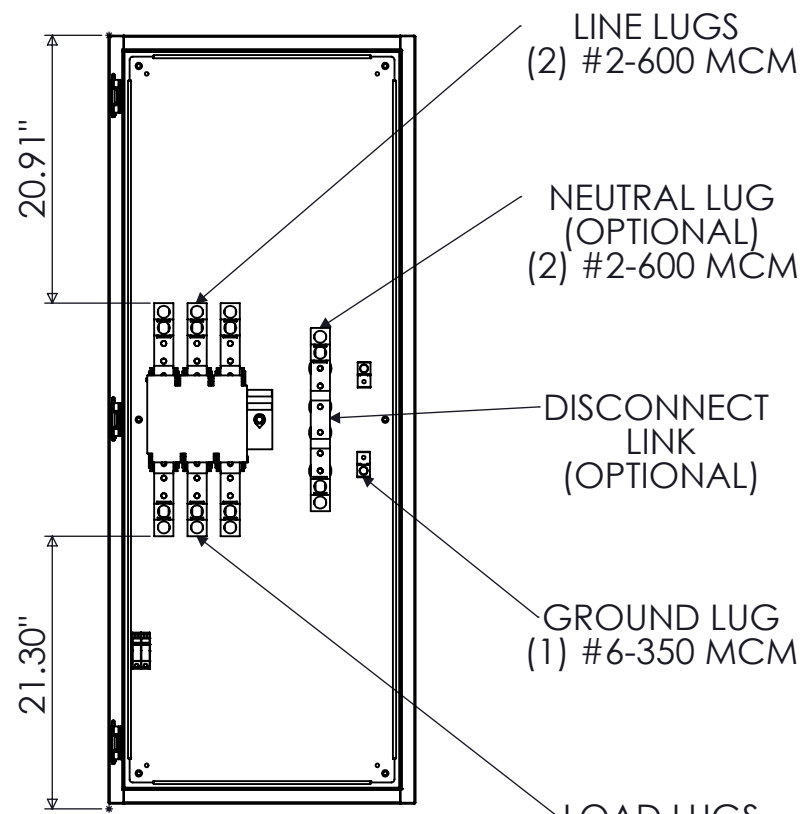
POWER ON

PADLOCKABLE WINGKNOB LATCH

PADLOCKABLE HANDLE



SIDE VIEW



20.91"

21.30"

FRONT VIEW DOOR REMOVED

LINE LUGS (2) #2-600 MCM

NEUTRAL LUG (OPTIONAL) (2) #2-600 MCM

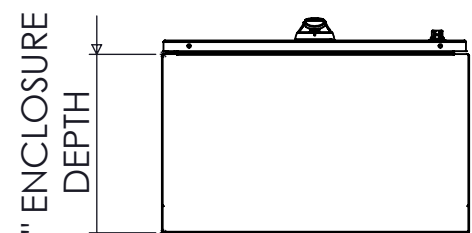
DISCONNECT LINK (OPTIONAL)

GROUND LUG (1) #6-350 MCM

LOAD LUGS (2) #2-600 MCM

NOTES

- "SERVICE DISCONNECT" AND "SUITABLE FOR USE AS SERVICE DISCONNECT" LABELS ONLY INCLUDED WITH OPTIONAL NEUTRAL KIT



14" ENCLOSURE DEPTH

BOTTOM VIEW

400A ENCLOSED FUSIBLE DISCONNECT NEMA 4X			
REV	DESCRIPTION	DATE	DRAWN S.RICHARDSON
0	ORIGINAL RELEASE	5/14/14	CHECKED
			SUP. NO
			SUP. BY NO
			PANEL NO
			BUIL. NO
			GROUP NO
			ORDER NO

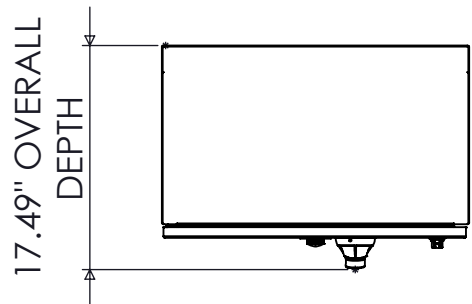


DRAWING TYPE
DIMENSIONAL

DRAWING NUMBER
FD400JN4X

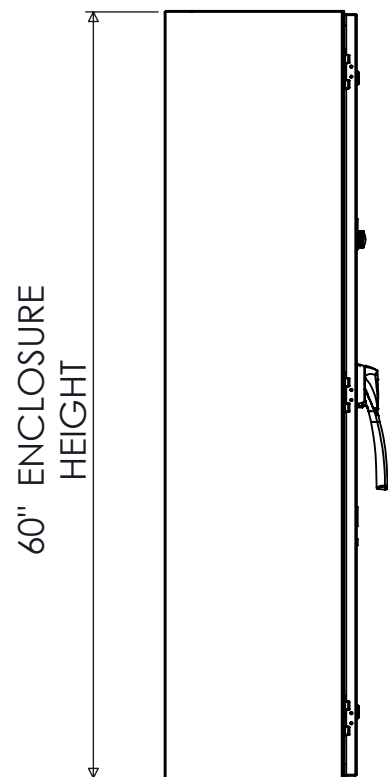
SPECIFICATIONS

MAX VOLTAGE - 480VAC 3 ϕ
 RATED CURRENT - 600 A
 STANDARDS - UL508A
 ENCLOSURE RATING - NEMA 4X
 TYPE 316 STAINLESS STEEL
 REF. ES100240F
 SWITCH SCCR - 200kA @ 480VAC
 FUSE CLASS- "J"
 ENDURANCE - 5,000 CYCLES
 EST SHIPPING WEIGHT - 200LBS



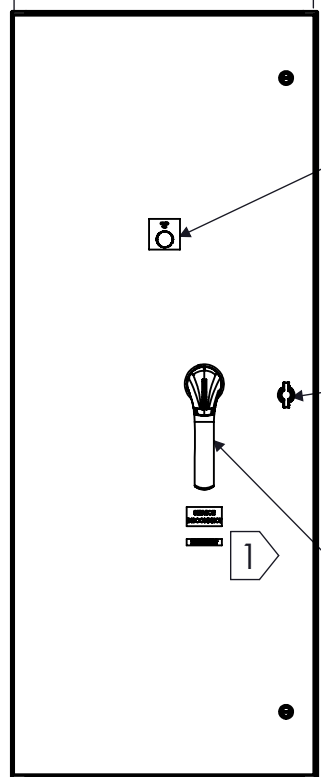
TOP VIEW

17.49" OVERALL DEPTH
 24" ENCLOSURE WIDTH



SIDE VIEW

60" ENCLOSURE HEIGHT

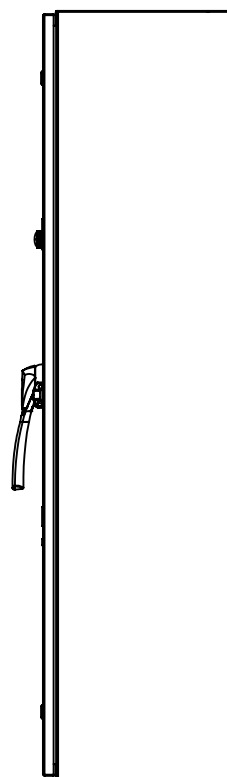


FRONT VIEW

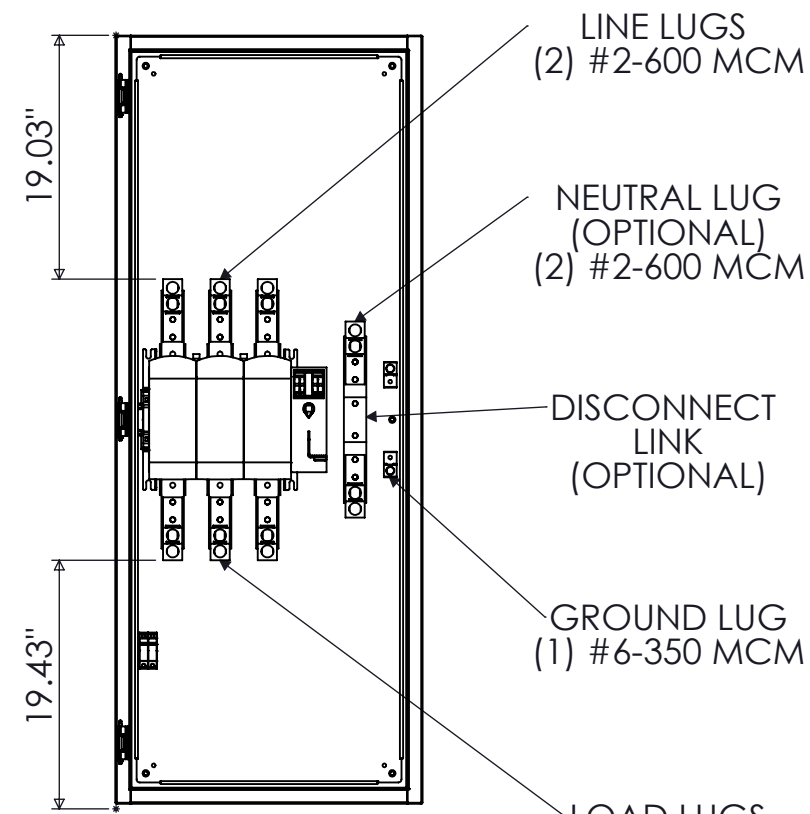
POWER ON

PADLOCKABLE WINGKNOB LATCH

PADLOCKABLE HANDLE



SIDE VIEW



FRONT VIEW DOOR REMOVED

LINE LUGS (2) #2-600 MCM

NEUTRAL LUG (OPTIONAL) (2) #2-600 MCM

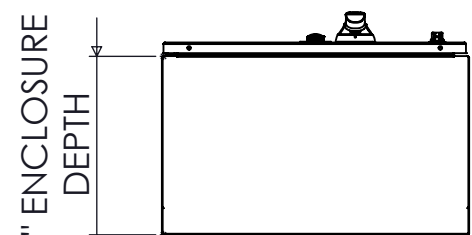
DISCONNECT LINK (OPTIONAL)

GROUND LUG (1) #6-350 MCM

LOAD LUGS (2) #2-600 MCM

19.03"

19.43"



BOTTOM VIEW

14" ENCLOSURE DEPTH

NOTES

- "SERVICE DISCONNECT" AND "SUITABLE FOR USE AS SERVICE DISCONNECT" LABELS ONLY INCLUDED WITH OPTIONAL NEUTRAL KIT

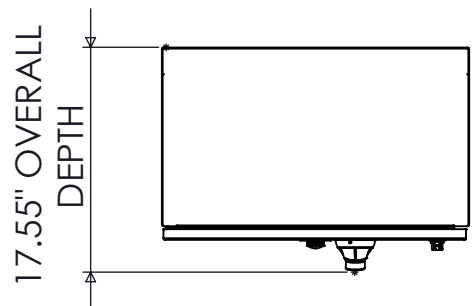
600A ENCLOSED FUSIBLE DISCONNECT NEMA 4X			
REV	DESCRIPTION	DATE	DRAWN S.RICHARDSON
0	ORIGINAL RELEASE	5/14/14	CHECKED
			SUP. NO
			SUP. BY NO
			PANEL NO
			BUIL. NO
			GROUP NO
			ORDER NO

DRAWING TYPE	DIMENSIONAL
DRAWING NUMBER	FD600JN4X



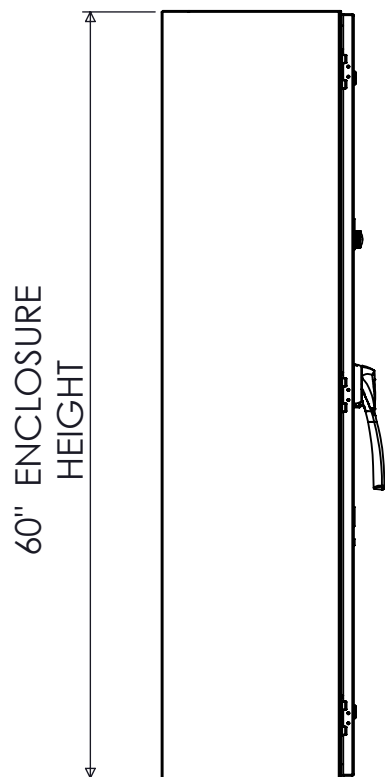
SPECIFICATIONS

MAX VOLTAGE - 480VAC 3 ϕ
 RATED CURRENT - 800 A
 STANDARDS - UL508A
 ENCLOSURE RATING - NEMA 4X
 TYPE 316 STAINLESS STEEL
 REF. ES100240F
 SWITCH SCCR - 200kA @ 480VAC
 FUSE CLASS- "L"
 ENDURANCE - 5,000 CYCLES
 EST SHIPPING WEIGHT - 225LBS



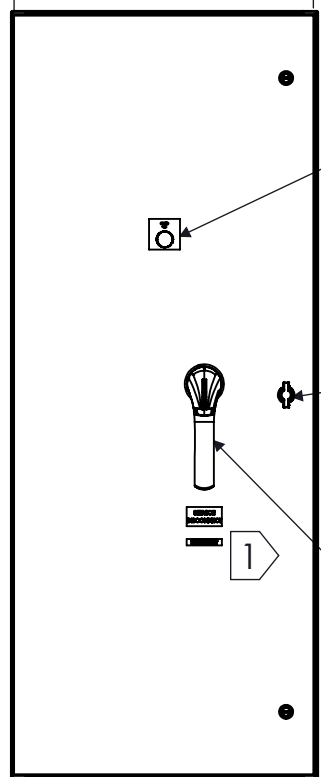
TOP VIEW

17.55" OVERALL DEPTH
 24" ENCLOSURE WIDTH



SIDE VIEW

60" ENCLOSURE HEIGHT

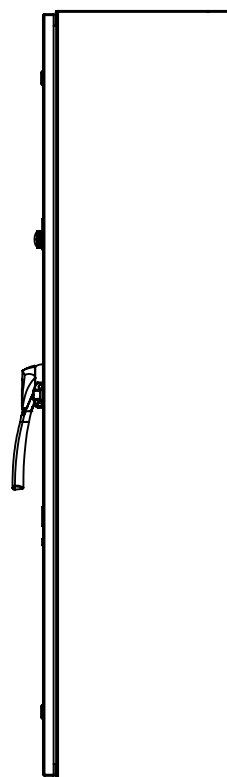


FRONT VIEW

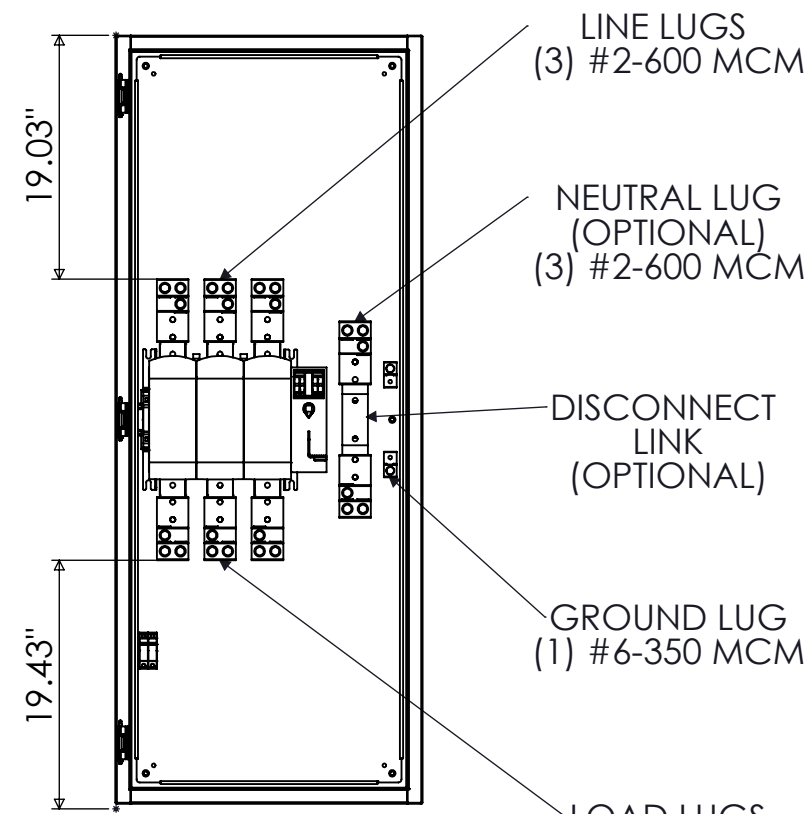
POWER ON

PADLOCKABLE WINGKNOB LATCH

PADLOCKABLE HANDLE



SIDE VIEW



FRONT VIEW DOOR REMOVED

LINE LUGS (3) #2-600 MCM

NEUTRAL LUG (OPTIONAL) (3) #2-600 MCM

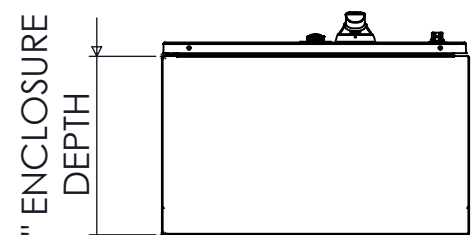
DISCONNECT LINK (OPTIONAL)

GROUND LUG (1) #6-350 MCM

LOAD LUGS (3) #2-600 MCM

19.03"

19.43"



BOTTOM VIEW

14" ENCLOSURE DEPTH

NOTES

- "SERVICE DISCONNECT" AND "SUITABLE FOR USE AS SERVICE DISCONNECT" LABELS ONLY INCLUDED WITH OPTIONAL NEUTRAL KIT

800A ENCLOSED FUSIBLE DISCONNECT NEMA 4X			
REV	DESCRIPTION	DATE	DRAWN S.RICHARDSON
0	ORIGINAL RELEASE	5/14/14	CHECKED
			SUP. NO
			SUP. BY NO
			PANEL NO
			BUIL. NO
			GROUP NO
			ORDER NO

DRAWING TYPE	DIMENSIONAL
DRAWING NUMBER	FD800JN4X

